




Hardware Installation Guide

Yeastar K2 IP-PBX

Version: 1.0

Updated: December 4, 2019

-  Support: +86-592-5503301
-  Support: support@yeastar.com
-  <https://www.yeastar.com>

Contents

- Hardware Installation Guide..... 3**
- Installation Precautions & Warning.....3
- Package List.....3
- Hardware Overview.....4
- Install Yeastar K2 IPPBX#Rack Mount#.....6

Hardware Installation Guide

Hardware Installation Guide for Yeastar K2 IPPBX.

About this guide

This guide describes the hardware indicators and ports on the Yeastar K2 IPPBX, and provides instructions of rack installation, and cable connections of the PBX.

Audience

This guide is for the person who wants to install the Yeastar K2 IPPBX device.

Installation Precautions & Warning

Installation Precautions

- The equipment room should be dry, ventilated, no corrosive gases, and no strong electromagnetic interference.
- Reserve space for the device to facilitate heat dissipation.
- The humidity of the equipment room should be kept less than 80%, and the humidity should be constant at around 25 °C. If necessary, the corresponding facilities should be installed.
- Avoid installation in direct sunlight, too cold, too hot or humid (temperature range: 0 ° C ~ 40 ° C, humidity range: 60% or less).
- Avoid installation in places where there is frequent vibration, dust, or contact with water and oil.
- It is better to install an anti-static floor.
- Keep a distance from other devices and do not stack them with other devices.



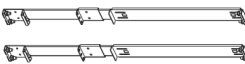
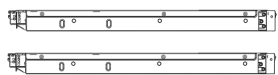




Warning

- Do not disassemble or modify the device.
- Never use a 3rd party power adapter.
- Do not remove the power supply during the device startup or upgrade, otherwise, the device may not be able to start up.
- Please remove the power supply when writing. Power on the device after wiring is completed.

Package List

Package list of Yeastar K2 IPPBX.

After opening the package, please check that if the accessories are complete. If you have any missing, please contact your dealer.

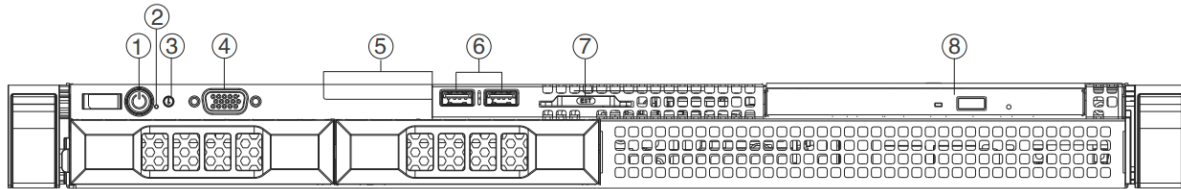
 PBX×1	 Power Cable×1	 Static Rail×2	 Chassis rails×2
 Velcro Straps (×2)	 Certificate×1	 Quick Start Guide×1	 Warranty Card×1

Hardware Overview

Descriptions of LED indicators and ports on Yeastar K2 IPPBX.

A. Front Panel

Front panel of Yeastar K2 IPPBX and Yeastar K2 Lite IPPBX.



Item	Indicator#button or connector	Description
1	Power-on indicator, power button	Enables you to know the power status of the system. The power-on indicator glows when the system power is on.
2	NMI button	Enables you to troubleshoot software and device driver errors when running certain operating systems. This button can be pressed by using the end of a paper clip. Use this button only if directed to do so by qualified support personnel or by the operating system's documentation.
3	System identification button	Enables you to locate a particular system within a rack. The identification buttons are on the front and back panels. When one of these buttons is pressed, the LCD panel on the front and the system status indicator on the back flash until one of the buttons is pressed again. Press the button to turn the system ID on and off. If the system stops responding during POST, press and hold the system ID button for more than five seconds to enter BIOS progress mode. To reset iDRAC (if not disabled in F2 iDRAC setup) press and hold the button for more than 15 seconds.
4	Video connector	Enables you to connect a display to the system.
5	Diagnostic indicators	The diagnostic indicator glows to display error status. For more information, see Diagnostic Indicators.
6	USB connector	Enables you to connect USB devices to the system. The port is USB 2.0-compliant.
7	Information tag	Contains system information such as service tag, NIC, MAC address for your reference. The information tag is a slide-out label panel.
8	Optical drive	Enables you to install an optional slim SATA DVD-ROM drive.

Diagnostic Indicators







The diagnostic indicators on the front panel display the system status during startup.



Note:

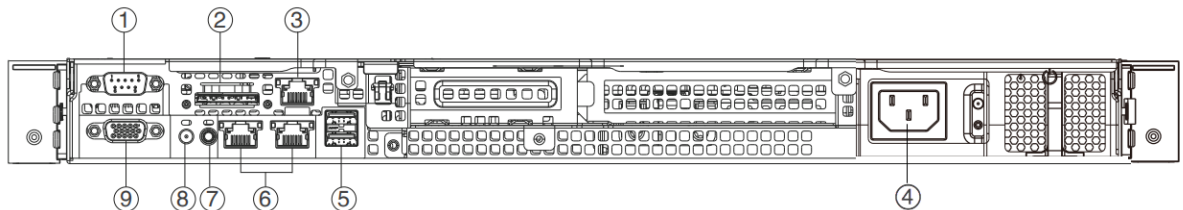
The system equipped with an LCD panel does not provide diagnostic indicator.

No diagnostic indicators are lit when the system is turned off. To start the system, plug it into a working power source and press the power button.

Icon	Description	Condition
	Health indicator	<p>The indicator turns solid blue if the system is in good health.</p> <p>The indicator flashes amber:</p> <ul style="list-style-type: none"> When the system is turned on. When the system is in standby. If any error condition exists. For example, a failed fan, PSU, or a hard drive.
	Hard drive indicator	The indicator flashes amber if there is a hard drive error.
	Electrical indicator	The indicator flashes amber if the system experiences an electrical error (for example, voltage out of range, or a failed power supply unit (PSU) or voltage regulator).
	Temperature indicator	The indicator flashes amber if the system experiences a thermal error (for example, the ambient temperature is out of range or fan failure).
	Memory indicator	The indicator flashes amber if a memory error occurs.
	PCIe indicator	The indicator flashes amber if the PCIe is error.

B. Back Panel

Back panel of Yeastar K2 IPPBX and Yeastar K2 Lite IPPBX.



Item	Indicator, button, or connector	Description
1	Serial connector	Enables you to connect a serial device to the system.

Item	Indicator, button, or connector	Description
2	vFlash card slot (optional)	Enables you to connect the vFlash card.
3	iDRAC port	Enables you to install a dedicated management port card.
4	Power supply unit	Enables you to install up to two 350 W AC PSU.
5	USB connectors	Enable you to connect USB devices to the system. The port is USB 3.0-compliant.
6	Ethernet connectors	Enable you to connect integrated 10/100/1000 Mbps NIC connector.
7	System identification button	<p>Enables you to locate a particular system within a rack. The identification buttons are on the front and back panels. When one of these buttons is pressed, the LCD panel on the front and the system status indicator on the back flash until one of the buttons is pressed again.</p> <p>Press the button to turn the system ID on or off. If the system stops responding during POST, press and hold the system ID button for more than five seconds to enter BIOS progress mode.</p> <p>To reset the iDRAC (if not disabled in F2 iDRAC setup) press and hold the button for more than 15 seconds.</p>
8	System identification connector	Connects the optional system status indicator assembly through the optional cable management arm.
9	Video connector	Enables you to connect a VGA display to the system.

Install Yeastar K2 IPPBX#Rack Mount#

Install the Yeastar K2 IPPBX in a rack and connect the cables to the PBX.

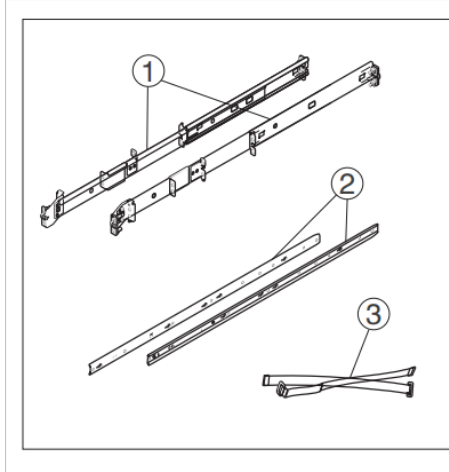
Yeastar K2 IPPBX support four static rail solutions:

- Tool-less, round- or square-hole (four-post) in step 2
- Tooled flush-mount rails (two-post) in steps 3 and 4
- Tooled center-mount rails (two-post) in step 4
- Tooled flush-mount rails (four-post) in steps 5 and 6



Note: Tooled rails require eight user-supplied threaded screws: #10-32, #12-24, #M5, or #M6.

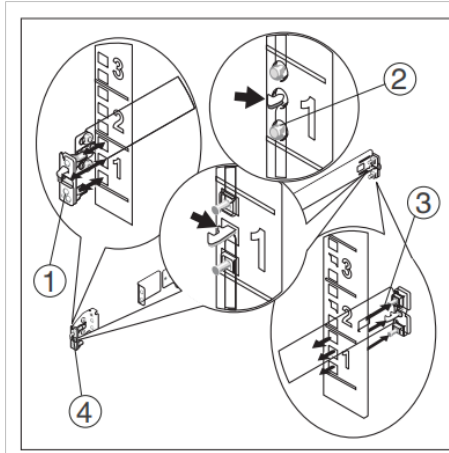
Step 1. Identify the Static Rail Kit Contents



Locate the components for installing the rail kit assembly:

- Two static rails.
- Two chassis rails.
- Two Velcro straps.

Step 2. Install and Remove Tool-less Static Rails (Four-Post)



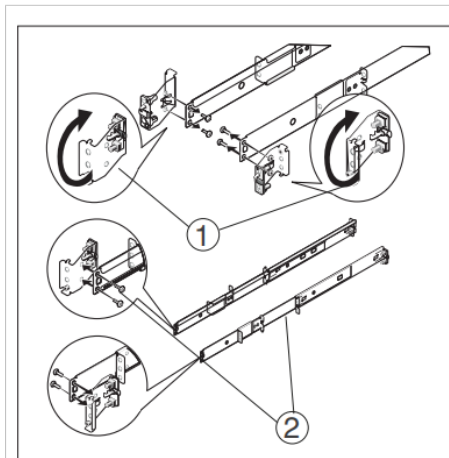
1. Position the left and right rail end pieces labeled FRONT facing inward and orient each end piece to seat in the holes on the front side of the vertical rack flanges.

2. Align each end piece in the bottom and top holes of the first U.

3. Engage the back end of the rail until it fully seats on the vertical rack flange. Repeat these steps to position and seat the front end piece on the vertical flange.

4. To remove the rails, pull on the latch release button on the end piece midpoint and unseat each rail.

Step 3. Configure Flush-Mount Static Rails (Two- or Four-Post)

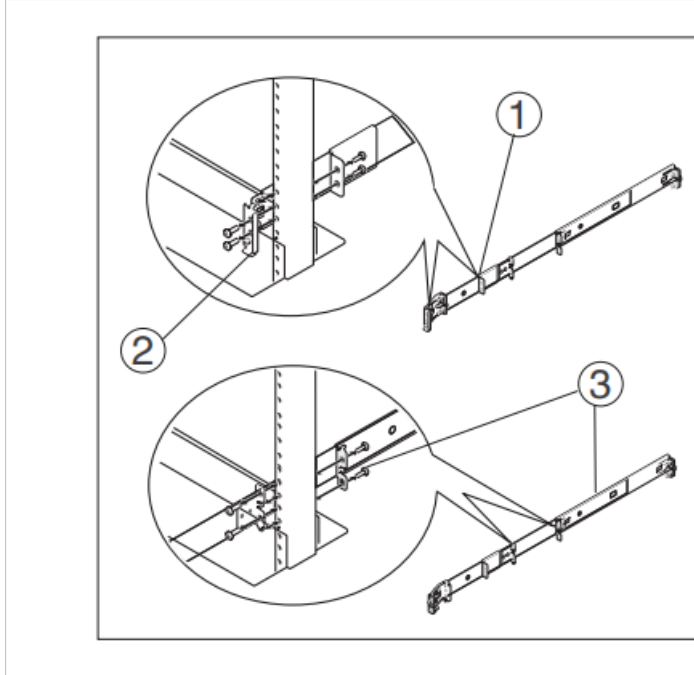


Note: The rails must be converted to tooled rails to install in threaded four-post or flush-mount two-post racks.

1. Lay both rails with the end pieces facing up. Remove the two screws on the front end pieces and rotate each piece 180 degrees.

2. Reattach both end pieces with the two pairs of screws.

Step 4. Install Flush-Mount or Center-Mount Static Rails (Two-Post)



Note: To configure your rails for a tooled flush-mount installation, refer to step 3.

1. Attach right and left mounting rails to the front mounting flange with two pairs of screws.

2. Slide each flush-mount adjustable bracket forward against the front mounting flange. Secure each side to the mounting flange with two screws.

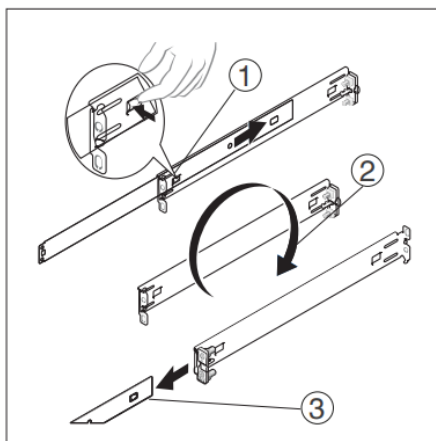
3. For a center-mount installation:

1) Push the back brackets toward the back of the rack to engage the front mounting rails.

2) Attach the fixed center mount brackets to the front mounting flanges with two pairs of screws.

3) Slide both of the back brackets forward against the front mounting flange and secure each side to the mounting flange with two screws.

Step 5. Configure Four-Post Threaded Static Rails



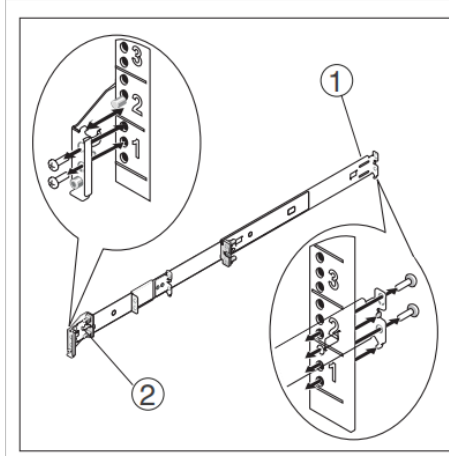
Note: To configure your rails for a tooled installation, you must perform step 3 and then perform the following steps for the back brackets.

1. Press the rail release button on each rail to disengage the back brackets.

2. Rotate the back brackets 180 degrees so that the tooled end piece is in the back position.

3. With the end pieces positioned outward, align and rejoin the midsections. Slide the back brackets into place until the release button engages.

Step 6. Install Four-Post Threaded Static Rails

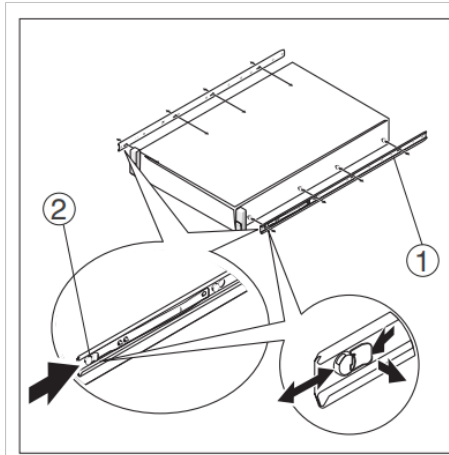


Note: To configure your rails for a tooled installation, refer to step 3 and step 5.

1. Attach the right and left mounting rails to the front mounting flanges with two pairs of screws.

2. Slide the back brackets forward against the back mounting flanges and secure the brackets using two pairs of screws.

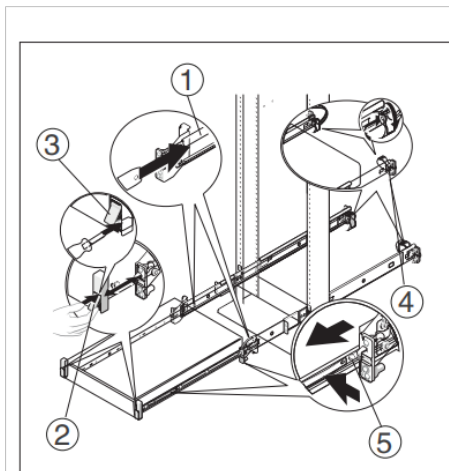
Step 7. Install Chassis Rails



1. Place the system on a level surface and align the keyhole slots on the chassis rails with the pins on the system.

2. Slide the chassis rails toward the back of the system until they lock into place. To remove the chassis rails, lift the lock spring until it clears the pin and slide the chassis rails toward the front of the system until the pins can slip through the keyhole slots.

Step 8. Install the System in the Rack



1. Insert the ends of the chassis rails into the front of the rails mounted to the rack and push the system into the rack.


2. Depending on the rail configuration, the latches on the front of the system engage automatically.

3. If the latches do not engage automatically, secure the system in the rack by tightening the screw under each latch.

4. Thread the Velcro straps through the slots on the back brackets and use the Velcro straps to secure the cables.

5. To remove the system from the rack, pull the system out until the travel stops are reached. Locate the blue tabs on the sides of the chassis rails. Push the tabs inward and pull the system until the chassis rails are clear of the rails.

Step 9. Connect Cables

 **Caution:** Please use the dedicated power cable. Failure or damage caused by using other power cables is not covered by the warranty.

1. Connect the Ethernet cable between Gb1 network port on the device and the LAN port on the switch .
2. Connect a dedicated power cable to the device to power on. The power indicator solid green after startup.

