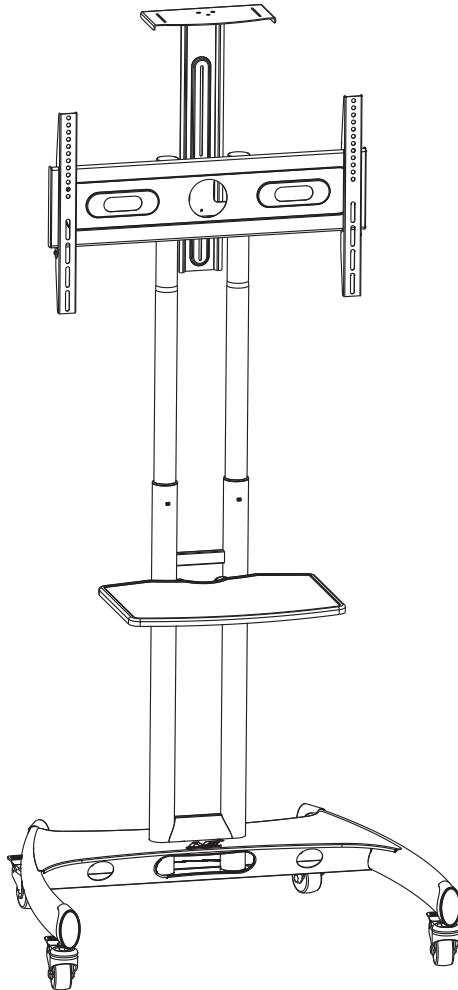


INSTALLATION INSTRUCTION



AVA1500-60-1P

Multi-functional and professional mobile stand

For TV panels: 32"-65"

Maximum load capacity: 100 lbs / 45.5 kg

AV shelf max load: 10 lbs / 4.5 kg

Video tray max load: 10 lbs / 4.5 kg

VESA: 100x100-600x400mm

Kunshan Hongjie Electronics Co., Ltd

Add:58, South of Xinxing Road, Economic Development Zone.

Kunshan City, Jiangsu Province, China

TEL: 86-512-57971777

<http://www.emmymount.com>

FAX: 86-512-57970776

E-mail: info@nbaymount.com

We reserve the right to modify or alter instructions. No modification or alteration without formal notice.

Table of Contents

Table of Contents and Warning 2/12

Parts list 3/12

Assembly and Installation

1. 1 Castor wheels to base installation

1. 2 Post assembly to base installation 4/12

2. Install telescopic mounting poles 5/12

3. Av shelf assembly and installation 6/12

4. Installation of interface7/12

5. Selection of TV mounting patterns 8/12

6. Mounting TV on pole interface 9/12

7. Video tray installation 10/12

8. Cables and wires installation11/12

9. Product specifications 12/12








★ **Can fit smaller or larger TVs depending upon VESA and TV Weight.**

WARNING!

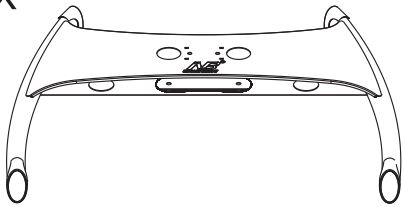
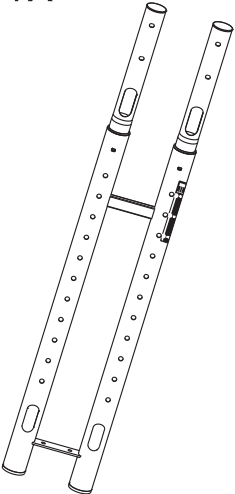

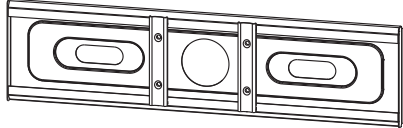



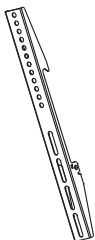
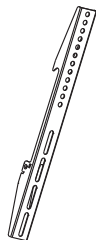
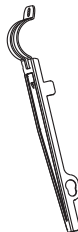
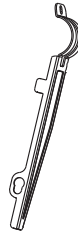




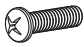







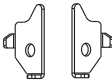


Severe personal injury and property damage can result from improper installation or assembly. Read the following warning carefully before beginning.

- If you do not understand the instructions or have any concerns or questions, please contact a qualified local installer.
 - Do not install or assemble if the product or hardware is damaged or missing, if you require replacement parts, please contact your local distributor for assistance.
 - This product fits most 32"-65" LCD/plasma screen; maximum weight of LCD/plasma screen:100lbs/45.5kg;AV shelf max load:10lbs/4.5kg;Video tray max load:10lbs/4.5kg.
 - Do not use this product for anything other than the original design.
 - This product contains moving parts, please use with caution.
 - The manufacturer disclaims any liability for the modifications, improper installation, or installation over the specified weight range. The manufacturer will not be liable for any damages arising out of the use of, or inability to use, the product.
- All images are for reference, to prevail in product.

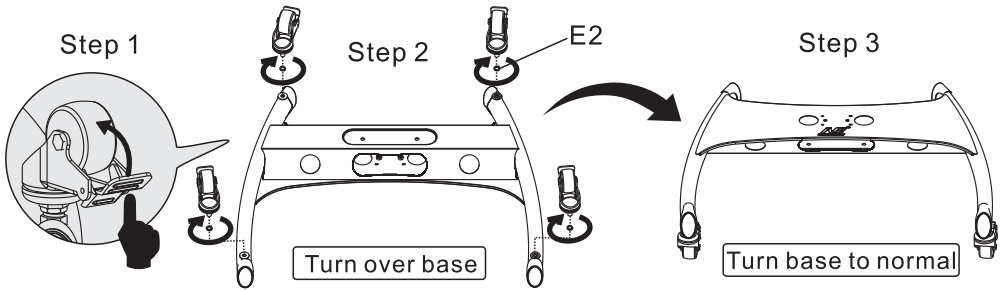
Manual

						
Tightening Direction	loosening Direction	Phillips Screwdriver	Metre Rule	Adjustment	By Hand	Hex Wrench

Parts List

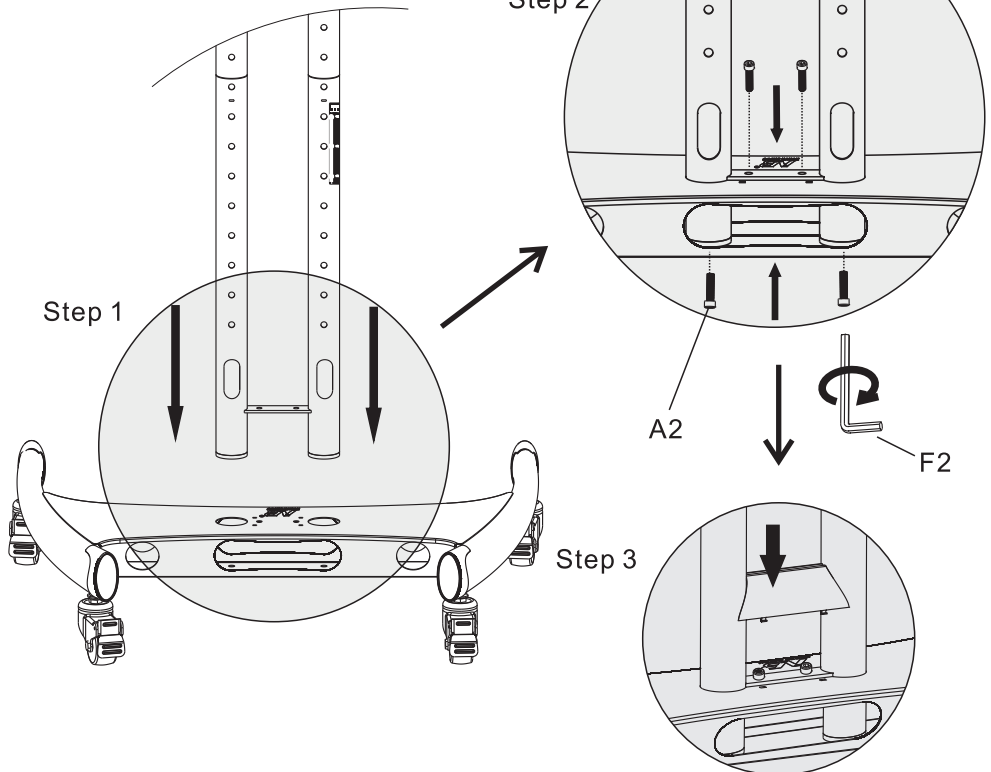
1X 		1X 		4X 	
1X 		1X 		1X 	
1X 	1X 	1X 	1X 	1X 	4X 
1X 		1X 		2X 	
A1 4X  M8×25mm	B1 4X  M6×25mm	C1 4X  M5×25mm	D1 4X  Φ16×Φ6.2×1.5mm	E1 4X  Φ18×27×H14mm	
A2 6X  M8×26mm	B2 4X  M8×55mm	C2 2X  M5×12mm	D2 1X  Φ16.5×Φ12.5×2mm	E2 4X  M6	F2 1X  M6

1.1 Castor wheels to base installation



1.2 Post assembly to base installation

Note:
Make sure cables management holes are facing the rear of base.



2. Install telescopic mounting poles

Step 1. Use thumb or finger to depress the right upper pole spring plunger ball located at the cable window, pull upper pole upward until your desired height. Twist upper pole toward the plunger holes direction and engage the spring ball into the plunger hole and set as shown in fig-1.

Step 2. Repeat with left pole.

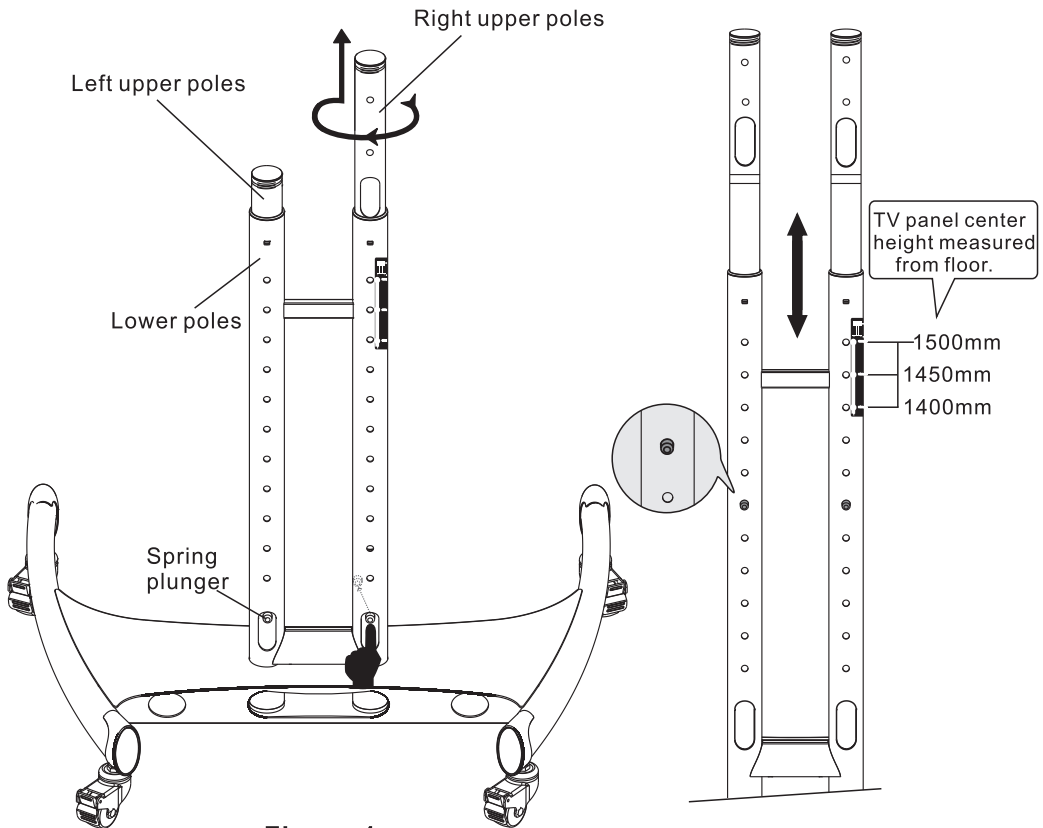
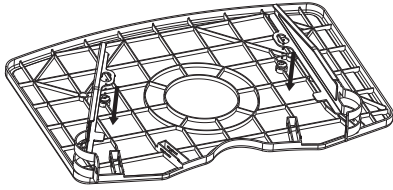


Figure 1

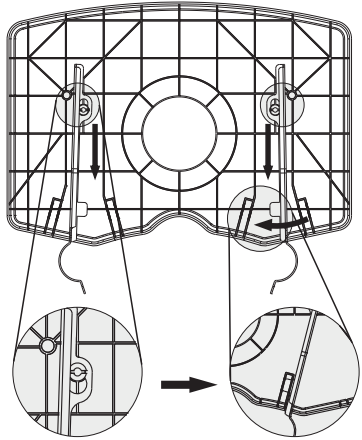
Figure 2

3. AV shelf assembly and installation

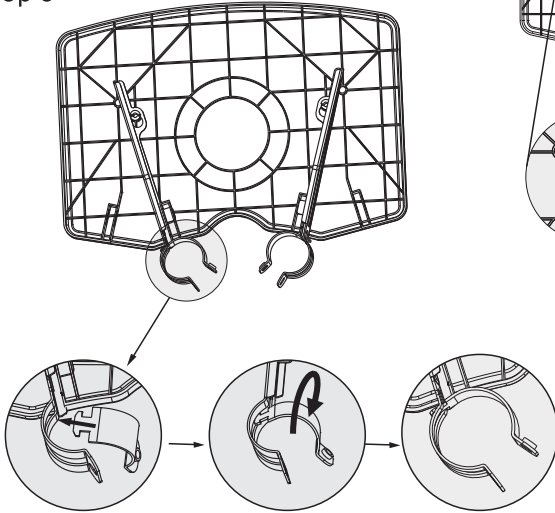
Step 1



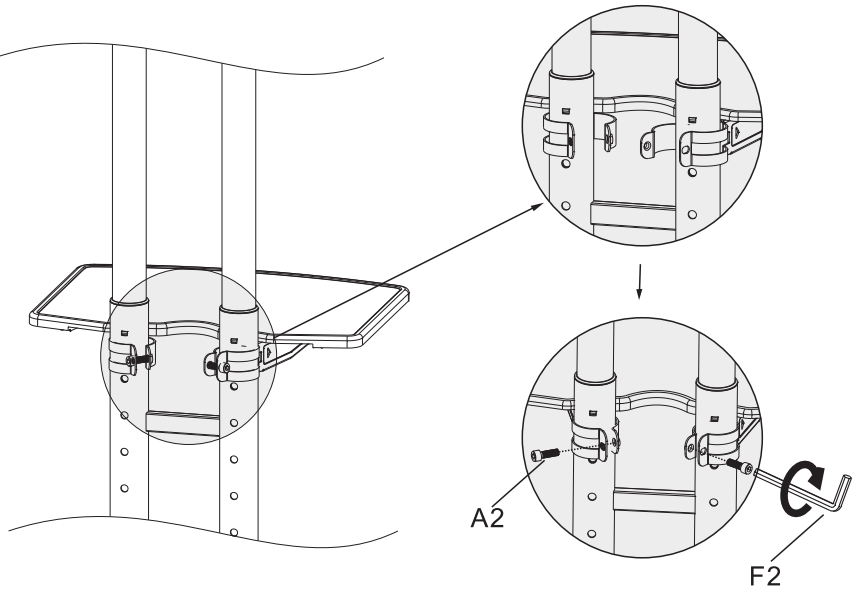
Step 2



Step 3

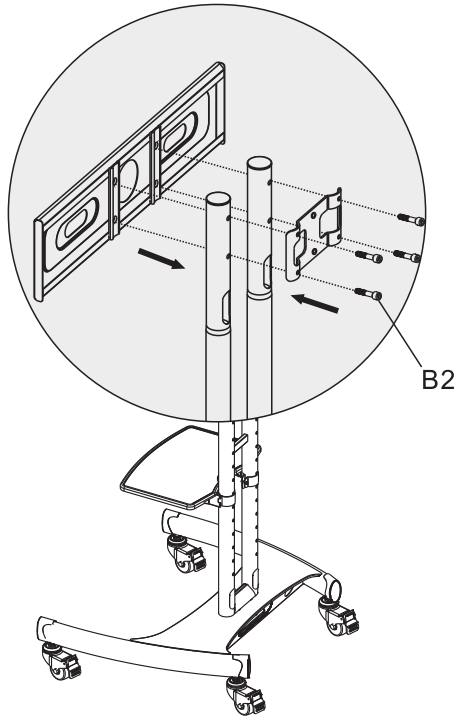


Step 4

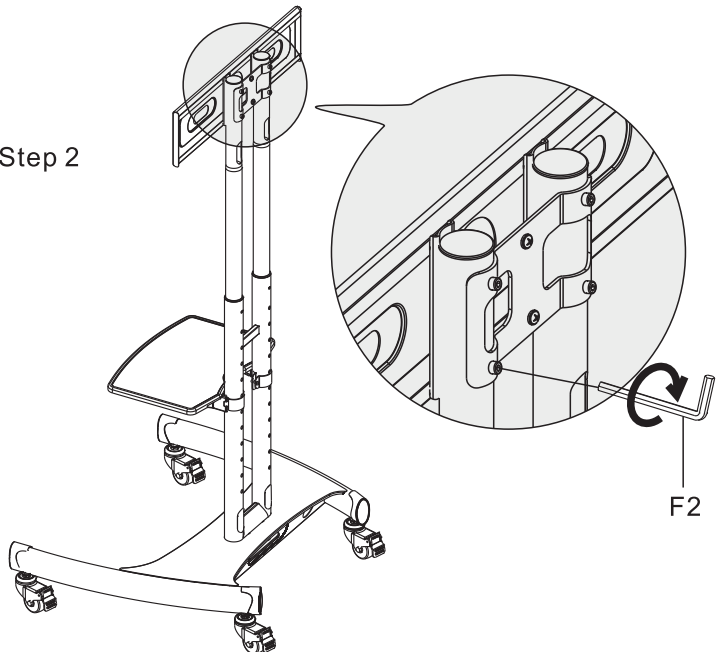


4. Installation of interface

Step 1

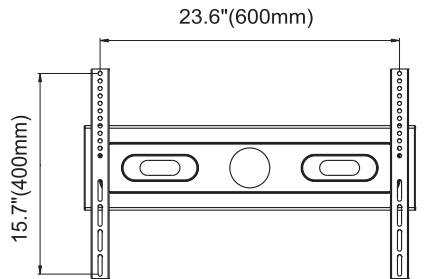
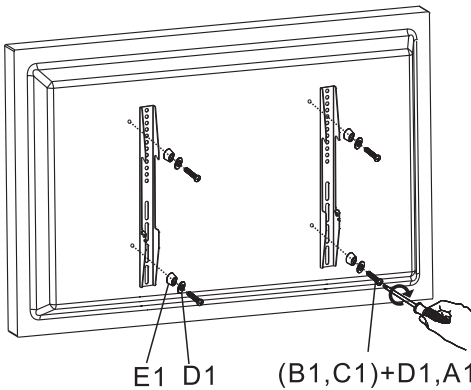
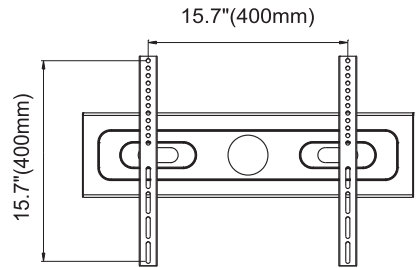
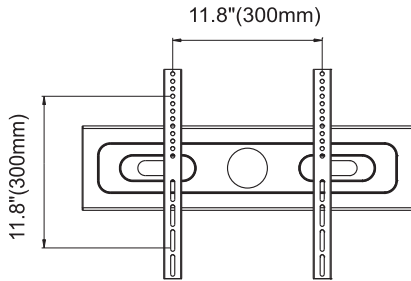
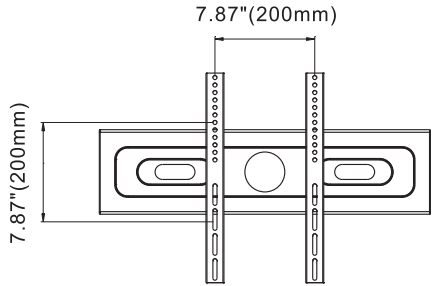
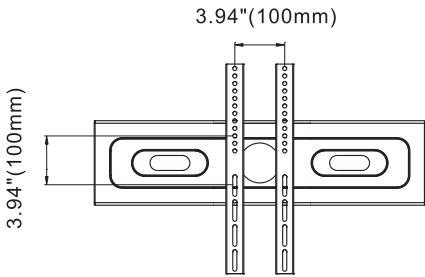


Step 2

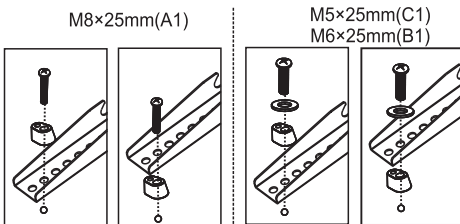


5. Selection of TV mounting patterns

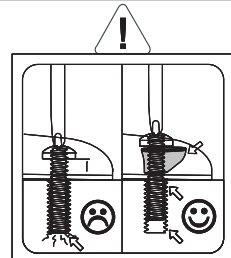
VESA: 100x100~600x400mm



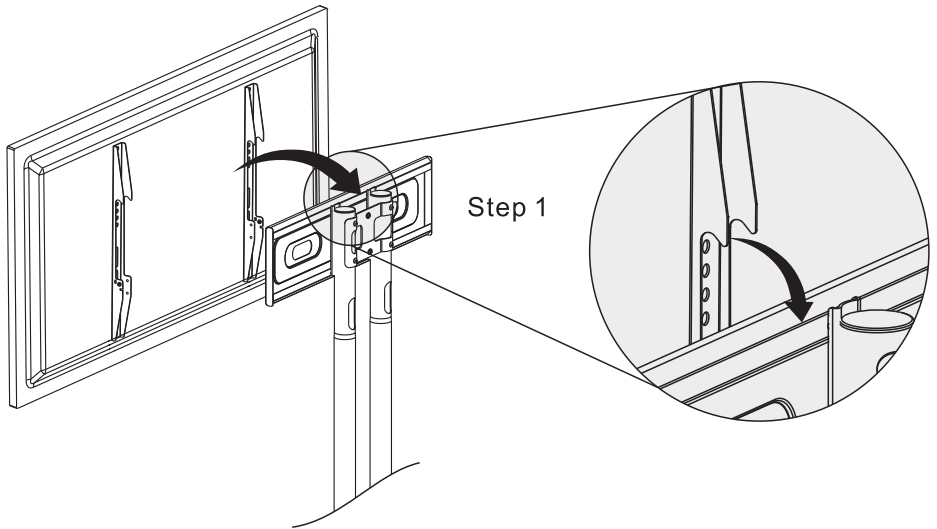
Note:
To avoid damage plastic spacer must be used when depth of mounting holes is minimal.



Safety advise

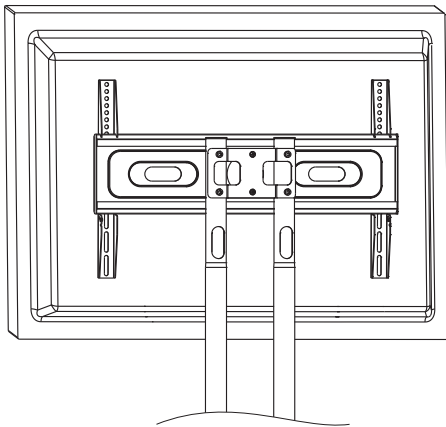


6. Mounting TV on pole interface

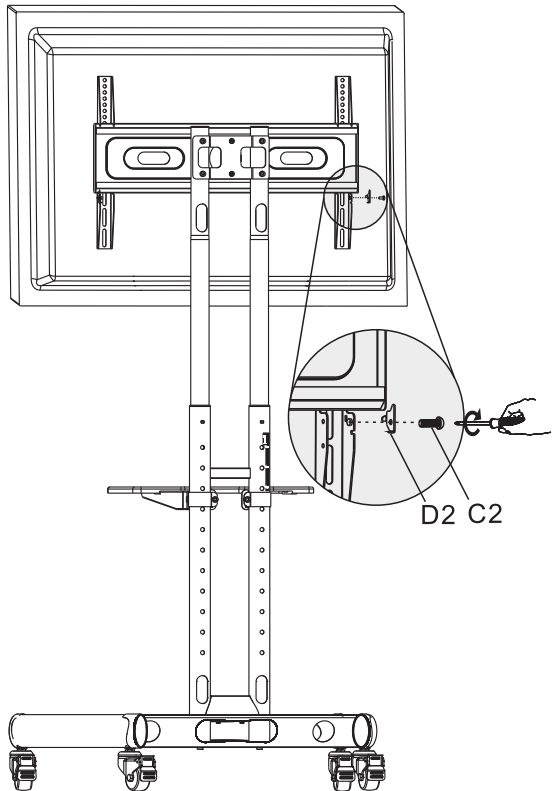


Step 2

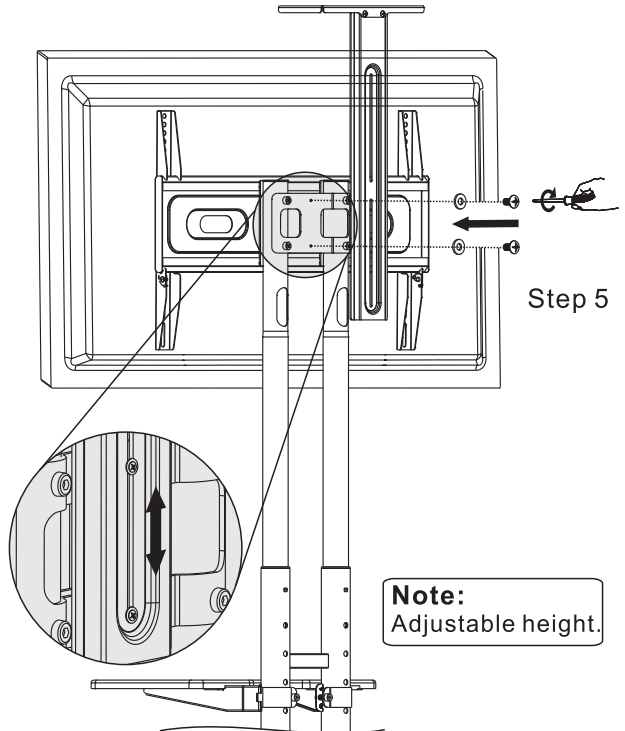
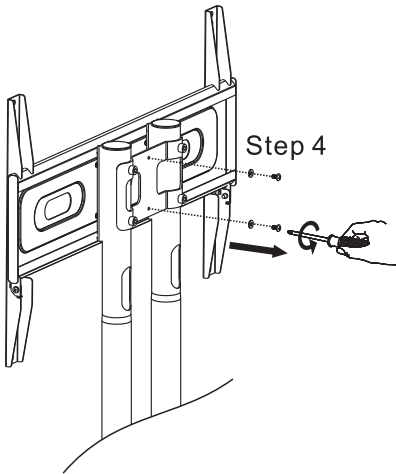
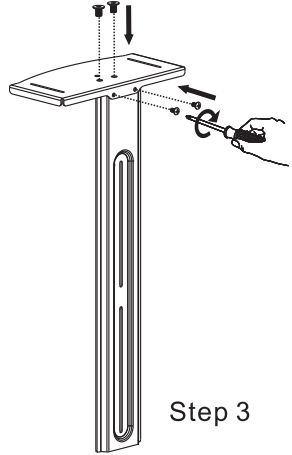
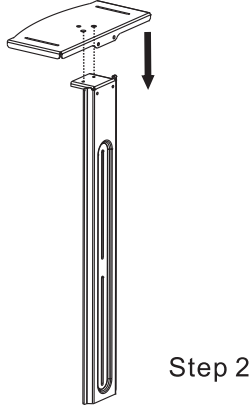
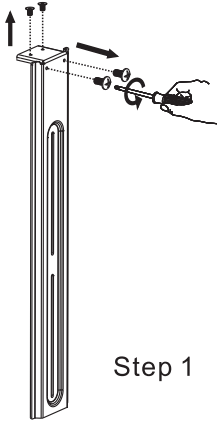
Note:
Moves TV to center.



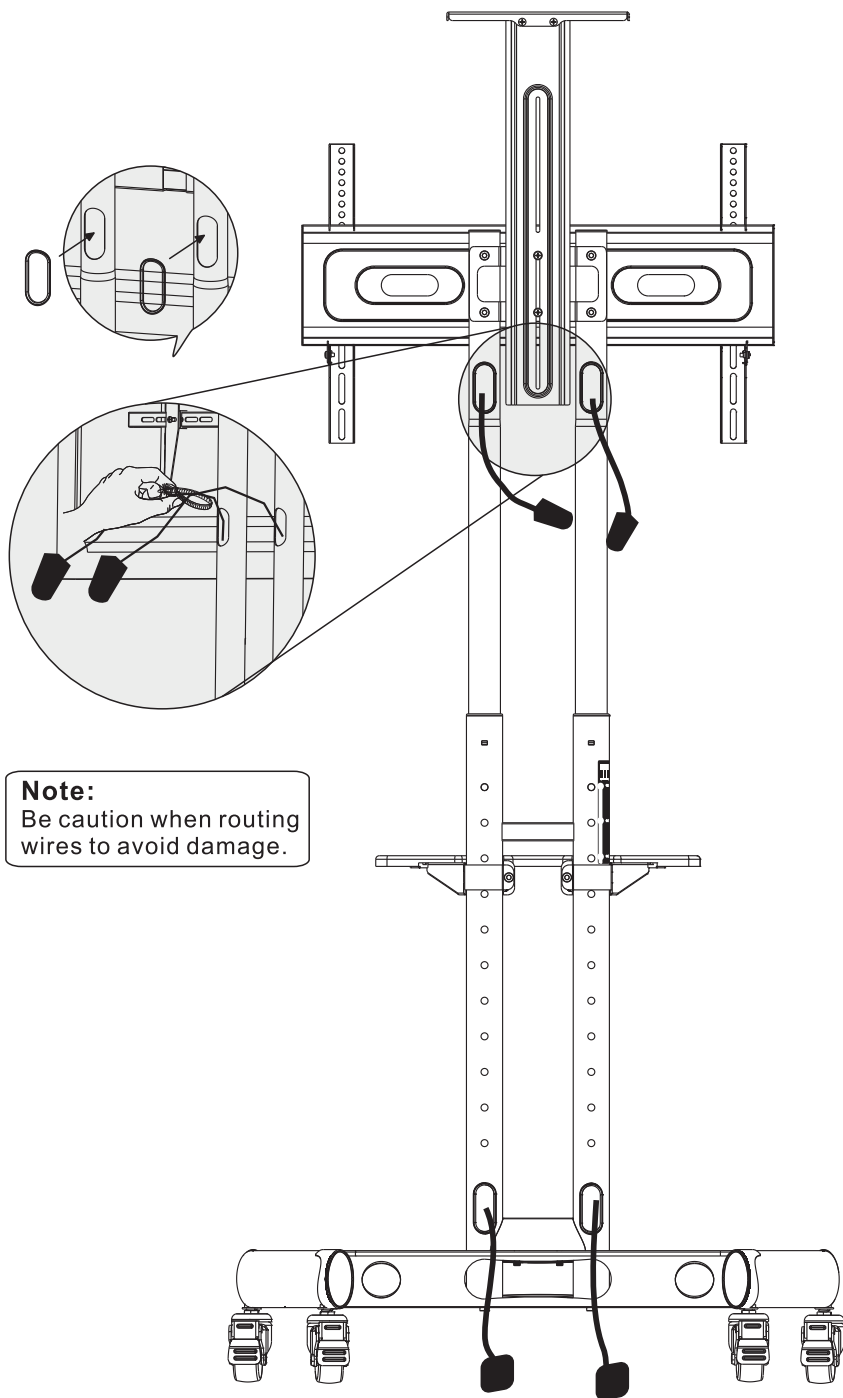
Step 3



7. Video tray installation



8. Cables and wires installation



9. Product specifications

