

# UV540 Series HD Information & Communication Camera

Full HD, Wide View Angle, Multiple Zoom Lens, Multiple Video Interfaces and Multiple protocols

UV540 series camera offers perfect functions, superior performance and rich interfaces. The features include advanced ISP processing algorithms to provide vivid images with a strong sense of depth, high resolution, and fantastic color rendition. It supports H.265/H.264 encoding which makes motion video fluent and clear even under less than ideal bandwidth conditions.



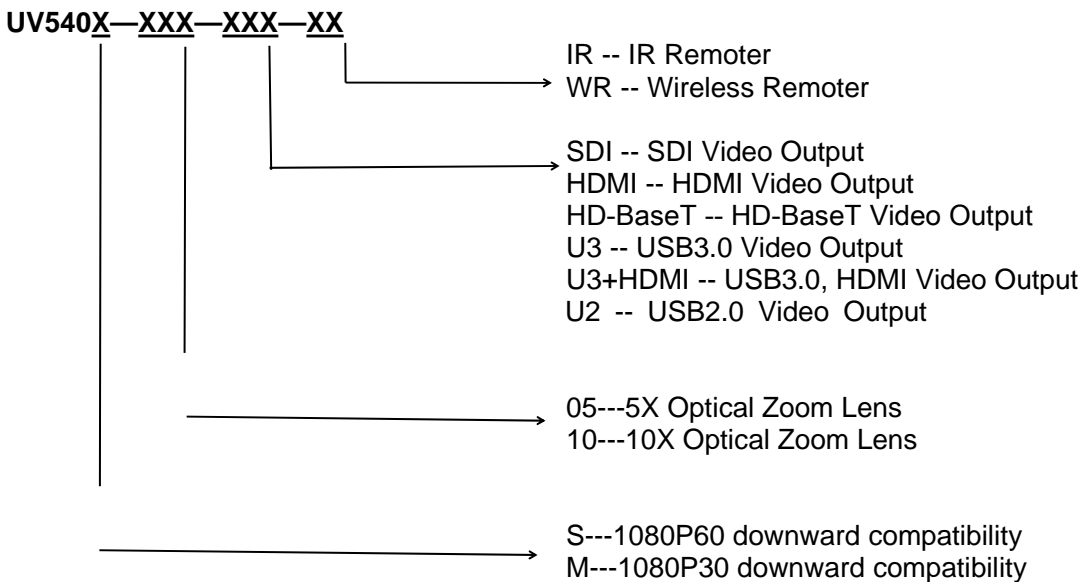
## Product Features:

- **Superb High-definition Image**  
UV540 employs 1/2.8 inch high quality CMOS sensor. Resolution is up to 1920x1080 with frame rate up to 60fps.
- **Various Optical Zoom Lens**  
UV540 has 5X/10X optical zoom lens for options. 5x zoom lens is with 83.7 ° wide view angle without distortion.
- **Leading Auto Focus Technology**  
Leading auto focus algorithm makes lens a fast, accurate and stable auto-focusing.
- **Low Noise and High SNR**  
Low Noise CMOS effectively ensure high SNR of camera video. Advanced 2D/3D noise reduction technology is also used to further reduce the noise, while ensuring image sharpness.
- **Multiple video output interfaces:** Support HDMI, SDI, HDBaseT, USB and LAN.
- **Multiple Video compression:** Support H.265/H.264 video compression
- **Audio Input Interface**  
Support 16000, 32000, 44100, 48000 sampling frequency and AAC, MP3, G.711A audio coding.
- **Multiple Network Protocol**  
Support ONVIF, RTSP, RTMP protocols and support RTMP push mode, easy to link streaming media server

(Wowza,FMS)

- **Multiple Control Interface:** RS232, RS485; RS232 support daisy chain, convenient for installation on projects.
- **Multiple Control Protocols:** Support VISCA, Pelco-D, Pelco-P and support auto-recognize protocol.
- **Low-power sleep function:** Support low-power sleep/wake up,the consumption is lower than 400mW under sleep mode
- **Wide-range, Quiet and Quick Pan/Tilt Mechanism**  
By adopting step driving motor mechanism,UV540 camera works extremely quiet and moves smoothly.
- **Multiple Remoter Control**  
User can choose to use IR remoter or wireless remoter according to the working environment. The 2.4G wireless remoter will not be affected by angle, distance or infrared interfere. Support remoter signal pass through function, which is convenient for back-end use.
- **Preset**  
Support up to 255 presets (10 presets by remoter )  
Tele-education,lecture capture,Webcasting, Videoconferencing,Tele-training,Tele-medicine, Interrogation and Emergency command systems.

**Order No.**



**Technical Specification**

Model Number	UV540-05	UV540-10
<b>Camera Parameter</b>		
Image Sensor	1/2.8 Inch High Quality CMOS Sensor	
Effective Pixels	2.07MP, 16:9	
Video Format	<b>SDI/HDMI/HDBaseT Video Output Format</b> 1080P60/50/30/25/59.94/29.97, 1080i60/50/59.97, 720P60/50/30/25/59.94/29.97  <b>USB3.0 Video Output Format</b> 1) USB3.0: 1920X1080P60/50/30/25; 1280X720P60/50/30/25; 960X540P30; 640X360P30; 640X480P30; 352X288P30; 960X540P30; 800X600P30 2) USB3.0(USB2.0 Supported); 960X540P30; 640X360P30; 1280X720P10/15; 720X576P50; 720X480P60; 640X480P30; 352X288P30; 800X600P30  <b>USB2.0 Video Output Format:</b> 176x144/320x240/320x180/352x288/640x480/720x480/720x576/640x360/800X600/960X540/1024X576/1024X768/1280X720/1920X1080 P30/25/20/15/10/5	

<b>Optical Lens</b>	5X Optical Lens f=3.1~15.5mm	10X Optical Lens f=4.7~47mm
<b>View Angle</b>	20° (Tele) 83.7°(Wide)	6.43° (Tele) 60.9° (Wide)
<b>Iris</b>	F1.8 - F2.8	F1.6 – F3.0
<b>Digital Zoom</b>	X5	
<b>Low Illumination</b>	0.5Lux(F1.8, AGC ON)	
<b>DNR</b>	2D & 3DDNR	
<b>White Balance</b>	Auto / Manual/ One Push//3000K/3500K/4000K/4500K/5000K/5500K/6000K/6500K/7000K	
<b>Focus</b>	Auto / Manual/ One Push/	
<b>Electronic Shutter</b>	Auto / Manual/	
<b>BLC</b>	On/Off	
<b>WDR</b>	OFF/ Dynamic Level Adjustment	
<b>Video Adjustment</b>	Brightness, Color, Saturation, Contrast, Sharpness, B/W mode, Gamma curve	
<b>SNR</b>	>55dB	
<b>Interface and Protocol</b>		
<b>Model No/Interface</b>	UV540-05/10-SDI Interface: SDI, LAN, RS232(Input), A-IN UV540-05/10-HDMI Interface: HDMI, LAN, RS232(Input), A-IN UV540-05/10-HD-BaseT Interface: HDBaseT, LAN, RS232(Input), A-IN UV540-05/10-U3 Interface: USB3.0, LAN, RS232(Input) UV540-05/10-U3+HDMI Interface: USB3.0, HDMI, LAN, RS232(Input) UV540-05/10-U2 Interface: USB2.0, LAN, RS232(Input)	
<b>Video Output</b>	SDI, HDMI, USB3.0, USB2.0, LAN	
<b>Video Stream</b>	Dual Stream	
<b>Image Multi Code Source Output</b>	Supported (SDI/HDMI/USB3.0/USB2.0, LAN can be with different Code Source/TV System)	
<b>Video Compression</b>	H.265, H.264	
<b>Audio Compression Format</b>	A-in: Double track 3.5mm linear input;	
<b>Audio Output</b>	SDI, HDMI, LAN, HDBaseT, Same Output as Audio.	
<b>Audio Compression Format</b>	AAC, MP3, G.711A	
<b>LAN</b>	100M LAN Port (10/100BASE-TX)	
<b>Network Protocol</b>	RTSP, RTMP, ONVIF, GB/T28181; Support VISCA Control Protocol, Support Remote Update and Reset	
<b>Control Port</b>	RS232(Circuit), RS485	
<b>Control Protocol</b>	Protocol: VISCA/Pelco-D/Pelco-P; Baud Rate: 115200/9600/4800/2400bps	
<b>Power Supply</b>	HEC3800 Outlet (DC12V)	
<b>Power Adapter</b>	Input AC110V-AC220V, output DC12V/1.5A	
<b>Power Input</b>	DC12V±10%、1A(Max)	
<b>Power Consumption</b>	12W(Max)	
<b>PTZ Parameter</b>		
<b>Pan/Tilt Rotation</b>	-170°~+170°, -30°~+90°	
<b>Pan/Tilt Controller Speed</b>	0.1~60°/Second, 0.1~30°/Second	
<b>Preset Speed</b>	Pan:60°/Second, Tilt: 30°/Second	
<b>Preset Numbers</b>	255 Points Preset (10 points By Remote Controller)	
<b>Other Parameter</b>		
<b>Storage Temperature</b>	-10℃~+60℃, 20%~95%	
<b>Working Temperature</b>	-10℃~+50℃, 20%~80%	
<b>Dimension</b>	151.2mmX152.5mmX126.7mm	
<b>Weight</b>	1.4kg	
<b>Usage</b>	Indoor Only	
<b>Package</b>	12V/1.5A Power supply, Remote Controller, Manual, Warranty Card	
<b>Accessories Optional</b>	Mount (Extra Cost)	

**Dimension (unit: mm)**

