

## Highlights:

---

- IP54 Ingress protection
- 8" high output woofer with a 1.3" voice coil
- Multi-Layer glass composite material with textured EPDM black coating
- Weatherproof speakON connector

## Product information:

---

The AUDAC HS208 is a full-range loudspeaker system engineered to provide long throw, full range sound projection in a variety of fixed in- and outdoor applications. Its wide, smooth frequency response and high efficiency ensure high-fidelity music reproduction along with superb projection of clear, intelligible speech at very low distortion. The HS208 features a 1,3" HF driver with an 8" LF loudspeaker combination for the best sound reproduction and has a very special coverage pattern of 40° horizontally and vertically. The construction of the HS208 is made of polyester with textured EDPM black coating and a perforated aluminum grill front finish. Behind the aluminum grill, there is an acoustic foam assembled, which prevents rain coming into the speaker. Due to an Ingress Protection rating (IP) of 54, this speaker is suitable for any environment where humidity or moisture are present. When an even higher Ingress Protection rating such as IP65 is needed we advise to use the HS208T. For connecting, two speaker connectors are provided. The second connector can be used for linking through the signal to other speaker cabinets. Mounting brackets: - MBK208Z

## Applications:

---

- Museums & Themeparks
- Corporate
- Sporting facilities
- Events



## Certification:

---



## Properties:

---



## Impedance:

---

Ω 8 Ohm

## System specifications:

Speaker type		2-way horn speaker
Peak power handling		600 W
Program power handling		300 W
RMS/AES power handling		150 W
Inputs	Connector	-pin Euro Terminal block (Balanced)
Impedance		8 $\Omega$
Sensitivity (1W/1m)		97 dB
Sound Pressure (Max. W/1m)		123 dB
Frequency	Response ( $\pm$ 3 dB)	100 Hz - 18 kHz
	Range (-10 dB)	70 Hz - 20 kHz
Crossover	Frequency	1.5 kHz
	Type	Passive built-in
Dispersion	Horizontal	40°
	Vertical	40°
Ingress Protection rating		IP54
Connection		2 x heavy-duty SpeakON NLT4MPBAG (linkthrough)
Drivers	HF	1.3" Compression driver
	MF	8"

## Product Features:

Dimensions		360 x 360 x 482 mm (W x H x D)
Weight		11.600 kg
Construction		Multi-Layer glass composite material with textured EPDM black coating
Front finish		Powder coated aluminium with lining
Mounting & handling		Mounting bracket fixing holes
Accessories	Optional	MBK208MK2 Wall mounting bracket

## Variants:

- HS208MK2 - Full range horn speaker 8"

## Shipping & Ordering:

Packaging	Cardboard box
Shipping weight & volume	15.760 kg - 0.100 Cbm

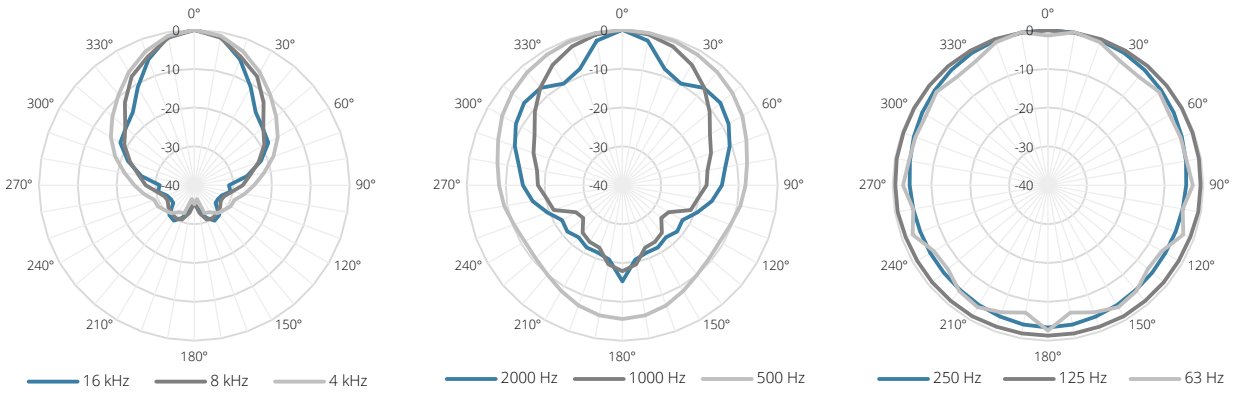
## Architects' and Engineers' Specifications:

---

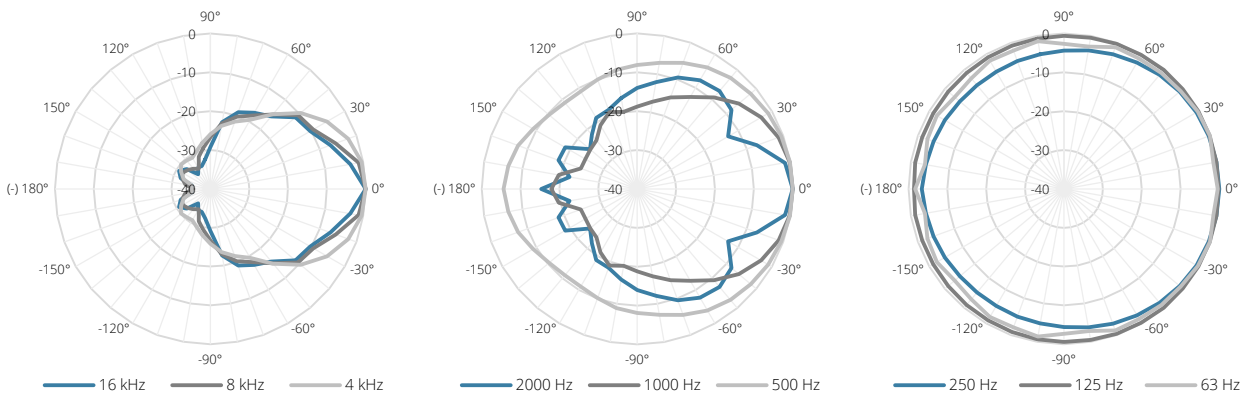
The speaker shall be a 2-way horn-loaded system providing a long-throw full range sound projection with following dimensions H 360 x W 360 x D 482 mm. The weight shall not exceed 14 kg. The enclosure shall be constructed out of multi-layer glass composite material with a durable scratch resistant EPDM coating and fitted with an aluminium front grill. It shall have an RMS power handling of 150 Watt with a maximum power handling of 300 Watt and the frequency response (-10 dB) shall range from 70 Hz to 20 kHz. The sensitivity shall be 97 dB when measuring with an input signal of 1 Watt at a distance of 1 meter, while the maximum continuous sound pressure level shall achieve 123 dB. The loudspeaker shall consist of a 1.3" HF compression driver and a 8" medium frequency range loudspeaker. The speaker has an impedance of 8 Ohm and contains a passive built-in crossover network with crossover frequency of 1.5 kHz which is constructed of high-quality components. It shall also have an integrated tweeter overload protection circuit. The compression driver shall be mounted on a 40° x 40° coverage horn which is coaxially constructed as one entity with the loudspeakers enclosure. Connections with the speaker shall be made using heavy-duty SpeakON connectors. The connectors shall be fitted with waterproof gaskets and an acoustical transparent and water eliminating lining should be provided behind the grill to make the system IP54 rated.

# Acoustical data graphs:

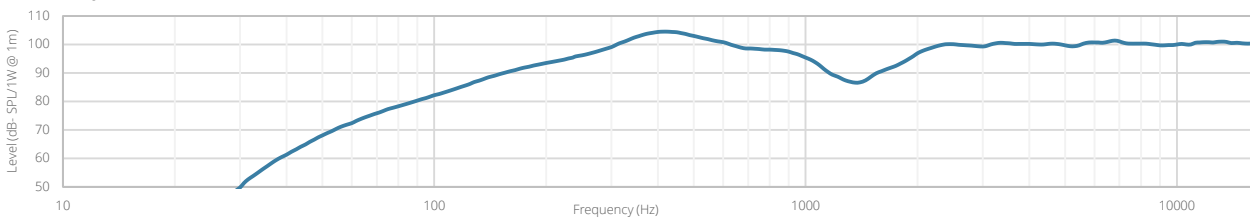
## Horizontal Polars:



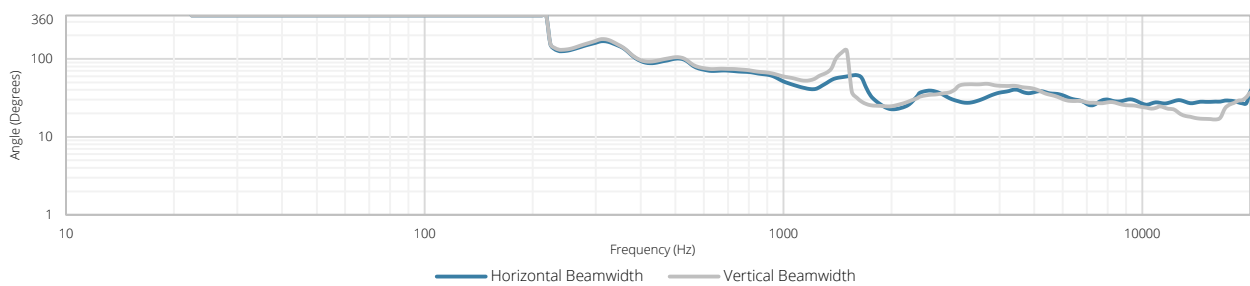
## Vertical Polars:



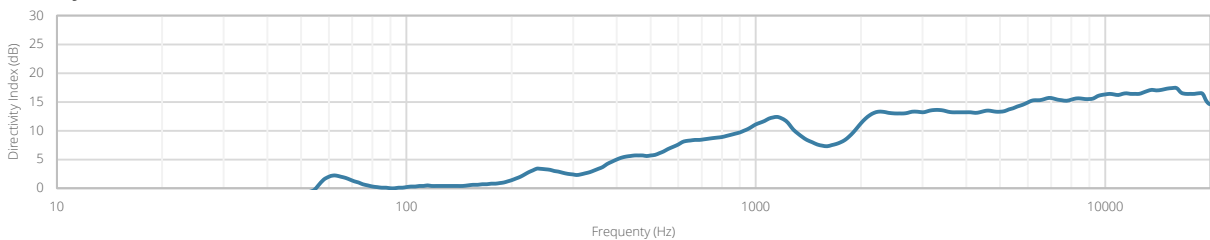
## Sensitivity:

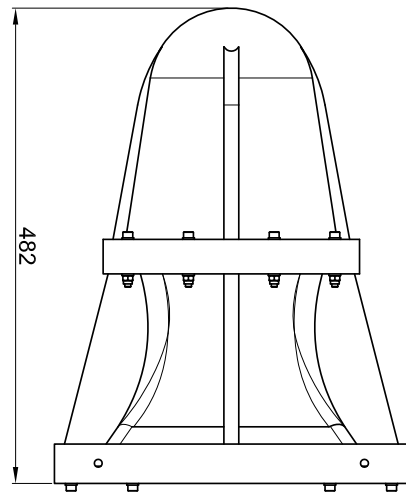
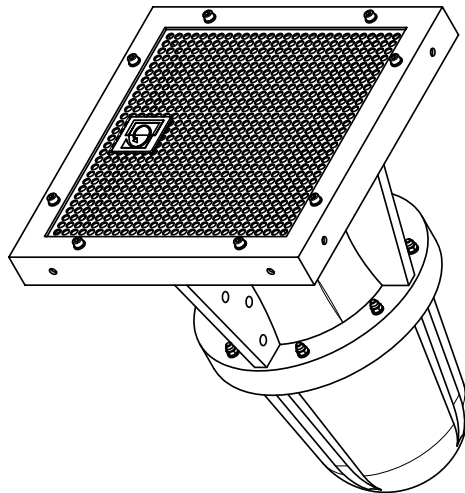
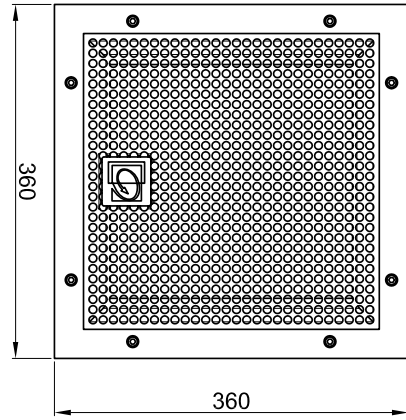
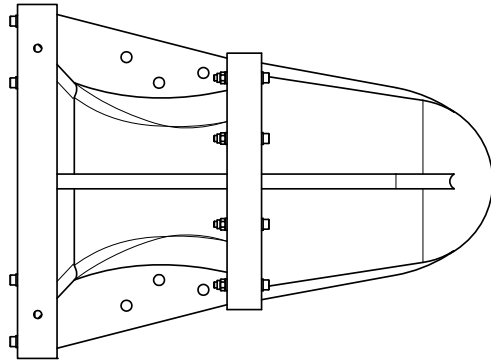


## Beamwidth (-3dB):



## Directivity index:





<b>HS208</b>		<b>Product description:</b> HORN LOADED 2-WAY LOUDSPEAKER 8" SPEAKER - 150W / 8 Ohm
<b>Weight:</b> 11,6 kg	<b>Outer dimensions:</b> (w x h x d) 360 x 360 x 482	
		<b>Unit height:</b> N/A