

## Highlights:

- 2 x 50 Watt RMS power
- 8" Aluminum membrane drivers
- Terminal block connection (Lockable Phoenix style)
- Reduce cable and amplifier channel usage thanks to integrated stereo crossover
- SlimLine™ grill with 1mm thin border
- Paintable front grill
- Elegant & unobtrusive design
- Warm & true to nature sound

## Product information:

The CELO8S is the next step in our journey to provide an impeccable musical atmosphere. This 8" ceiling subwoofer is fitted with a stiff and light aluminum membrane, minimizing ceiling vibrations and resulting in energetic depths from above, while the open back design enables the CELO8S to reproduce low frequencies in the most natural way possible. Its integrated stereo crossover enables you to effortlessly connect your satellite speakers, resulting in the absolute finest full-range sound experience in the most efficient way possible.

To overcome the architectural challenges of the most luxurious interior designs, the CELO8S is fitted with our SlimLine™ grill design with an exceptionally thin border of only 1 mm and a minimized grill depth, extruding merely 3.2 mm from the ceiling surface. In addition, the grill is completely paintable, making the speaker disappear without sacrificing any sound quality. This elegant and unobtrusive grill is held in place by means of powerful neodymium magnets, making assembly and disassembly simple and reliable.

Without the speaker grill installed, it's clear for anyone to see that the CELO8S is made by using only the highest quality materials, guaranteeing an unsurpassed sound experience. This results in true to nature sound reproduction for a warm and detailed sound with an RMS power of 50 Watt per channel and 100 Watt when connected in parallel.

When installed with accompanying satellite speakers, the volume of these satellites relative to the subwoofer can be increased and decreased by 3 dB, according to the installation setup and preferred sound.

Depending on the acoustical properties of your room and placement of the subwoofer, the sub can be better integrated into your room when switched to either 0° or 180° by adjusting the phase switch. We recommend 0° when all speakers are mounted in a flat wall or ceiling.



## Impedance:

Ω 8 Ohm

## Applications:

---

- Hotels
- Bars & Restaurants
- Retail
- Corporate
- Residential

## System specifications:

---

Peak power handling		2 x 200 W
Program power handling		2 x 100 W
RMS/AES power handling		2 x 50 W
Impedance		8 $\Omega$
Sensitivity (1W/1m)		83 dB
Sound Pressure (Max. W/1m)		103 dB
Frequency	Response ( $\pm$ 3 dB)	45 Hz - 200 Hz
	Range (-10 dB)	32 Hz - 200 Hz
Crossover	Type	Passive built-in
	Frequency	200 Hz
Connectors	Input	4-pin Euro Terminal Block (Pitch - 3.81 mm)
	Output	8-pin Euro Terminal Block (Pitch - 5.08 mm)
Drivers		8" Aluminium membrane

## Product Features:

---

Dimensions		275 x 120 mm ( $\emptyset$ x D)
Weight		2.75 kg
Construction		ABS
Front finish		Thin edged white grill (RAL9003)
Cut-out measurement		250 mm ( $\emptyset$ )
Built-in depth		117 mm
Mounting & handling		4 Screw quick-fixing mechanism
Operating temperature		-20 $^{\circ}$ C ~ 60 $^{\circ}$ C
Colours		Black frame & white grill
Accessories	Included	GLC08/W - White grill (RAL9003)
	Optional	GLC08/B - Black grill (RAL9005)
		GLC08/P - Paintable grill

## Variants:

---

- CELO8S - White version

## Shipping & Ordering:

---

Packaging	Cardboard box
Shipping weight & volume	3.45 kg - 0.017 Cbm

## Architects' and Engineers' Specifications:

---

The ceiling mount subwoofer shall be equipped with an 8" aluminum cone low frequency driver and a passive stereo crossover network. This passive stereo crossover network shall enable connection of two and four 8 Ohm satellite speakers and eight 16 Ohm satellite speakers.

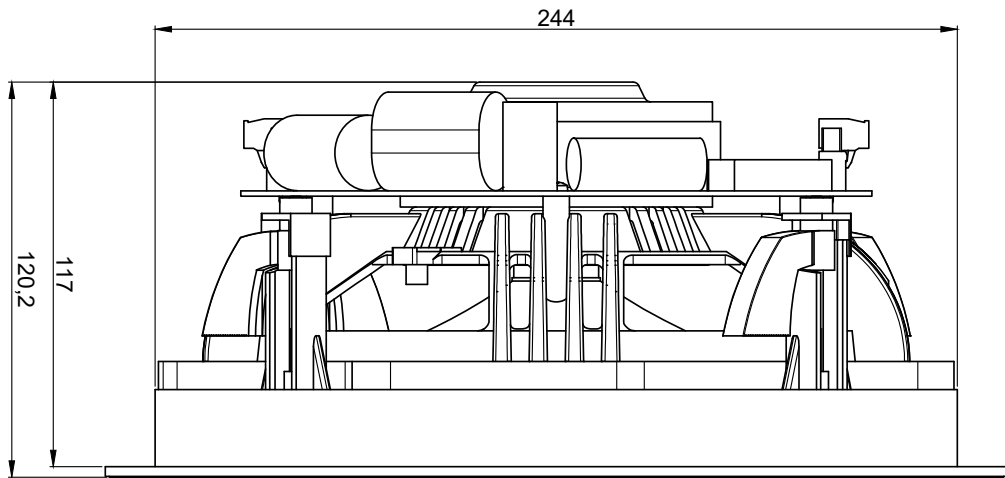
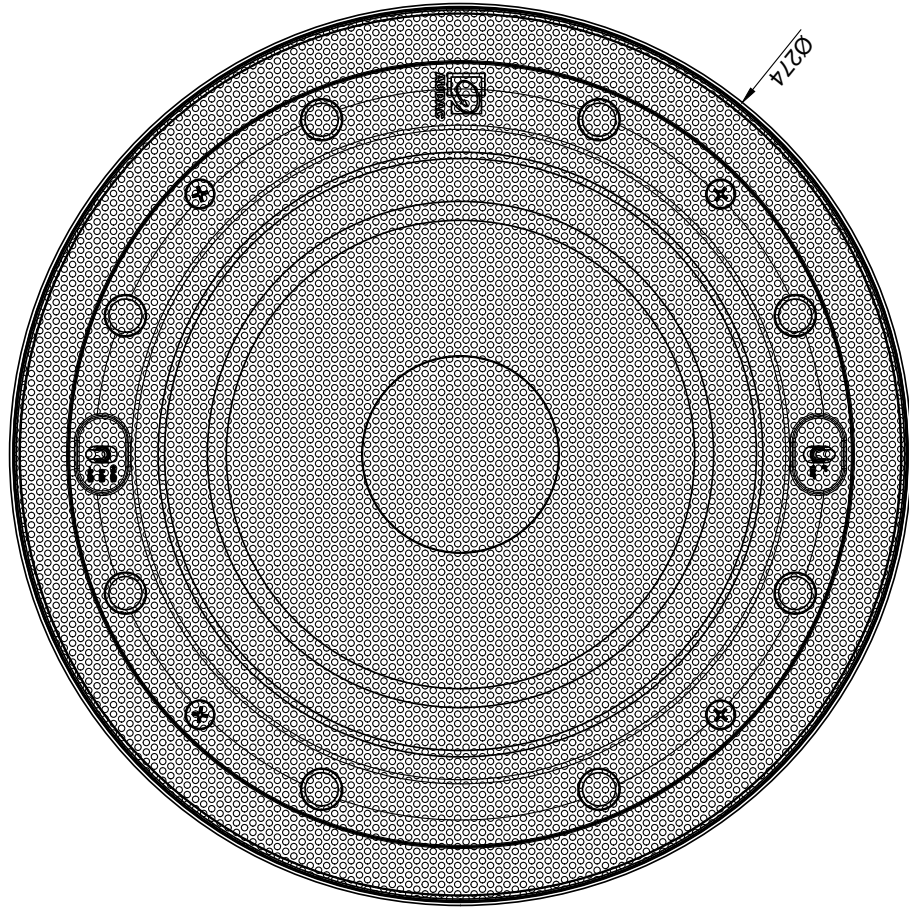
It shall have an RMS power handling of 50 Watt per channel with a maximum power handling of 100 Watt per channel and the frequency response ( $\pm 3$  dB) shall range from 45 Hz to 200 Hz. The sensitivity shall be 83 dB when measuring with an input signal of 1 Watt at a distance of 1 meter, while the maximum continuous sound pressure level shall be 103 dB.

The loudspeaker shall have an impedance of 8 Ohm per channel and shall contain a passive built-in stereo crossover network with crossover frequency of 200 Hz, which is constructed of high-quality components.

The speakers frame and basket shall be constructed as one entity in strong ABS material with a black colour and textured matt surface finishing. A 4-screw quick-fixing mechanism shall be provided to mount the speaker into a ceiling in a quick and simple way. The connections shall be performed using lockable terminal block connectors.

To make the loudspeaker nearly invisible when mounted, the speaker shall have a white (RAL9003) grill with a very thin border of 1 mm which extrudes the ceiling surface by only 3.2 mm. This grill shall be constructed of steel which can be painted to make it blend-in with any environment. The assembly and disassembly of the grill shall be very simple thanks to the neodymium magnets that hold it in place.

The speaker shall have a diameter of 275 mm, a depth of 120 mm and shall not exceed 2.75 kg. The speaker shall fit in a mounting hole with a cutout diameter of 250 mm and a build-in depth of 117 mm.



<p><b>CELO8S</b></p>	<p><b>Product description:</b> HIGH-END SLIM IN CEILING SUBWOOFER 8" WITH INTEGRATED STEREO X-OVER</p>	<p><b>Unit height:</b> N/A</p>
<p><b>Weight:</b> 2,7 kg</p>	<p><b>Outer dimensions:</b> (w x h x d) Ø274 x 120,2</p>	