

eIC5154

IN-CEILING LOUDSPEAKERS

EN 54-24 Certified Loudspeaker



PRODUCT OVERVIEW

ECLER eIC5154 is a cost-effective in-ceiling loudspeaker that features a design which conforms to EN54-24 standard (Fire detection and fire alarm systems, Voice alarms - Loudspeakers). It performs a 5" woofer.

KEY FEATURES

- Power selector @ 100V 6/3/1,5/0,75/0,38 W
- 5" woofer
- EN 54-24:2008 certified
- EASE Win file available



APPLICATIONS

- Corporate and residential buildings
- Commercial premises
- Leisure centres
- Health and sports centres
- Meeting and conference rooms
- Auditoriums, museums

CERTIFICATIONS

- EN 54-24:2008

TECHNICAL SPECIFICATIONS

eIC5154

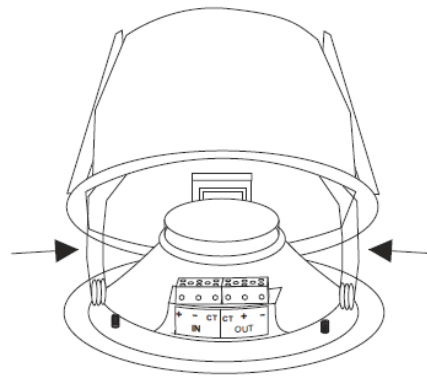
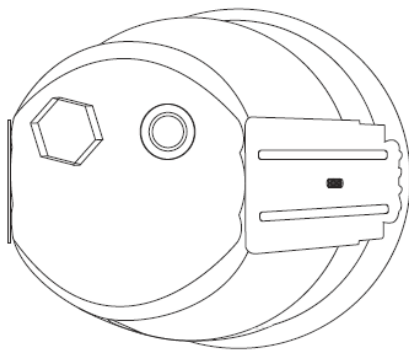
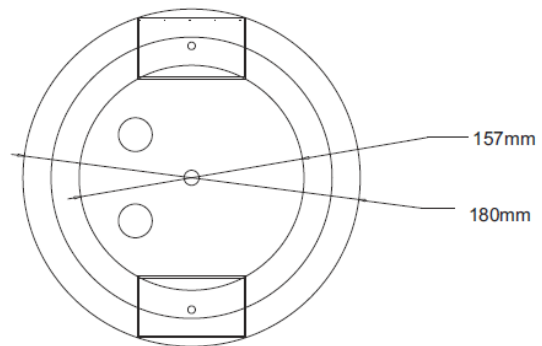
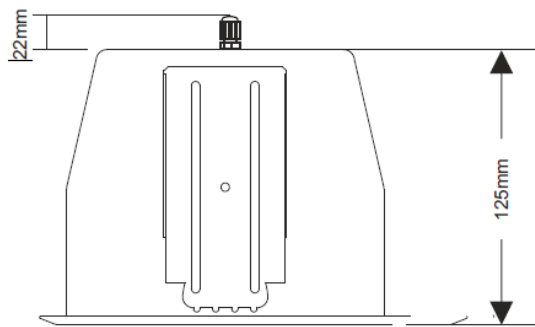
System	
Effective frequency range ¹	120 Hz-20 kHz
Coverage angle ²	165°x165° (HxV)
Sensitivity ³	92 (1W/1m)
Power options	100V: 6W / 3W / 1,5W / 0,75W / 0,38W 70V: 3W / 1,5W / 0,75W / 0,38W / 0,19W
Transducers	
Ways	1
Driver	5" woofer
Physical	
Installation options	Ceiling
Certifications	EN54-24
Enclosure material	ABS
Finished color	Traffic white (RAL 9016)
Recommended cut out diameter	158 mm / 6.22"
Ceiling thickness	No limit min 40mm / 1.57" max
Dimensions (ØxD)	180x157mm / 7.09"x6.18"
Weight	1.2 kg / 2.65 lb

¹10dB below the sound pressure level at specified sensitivity

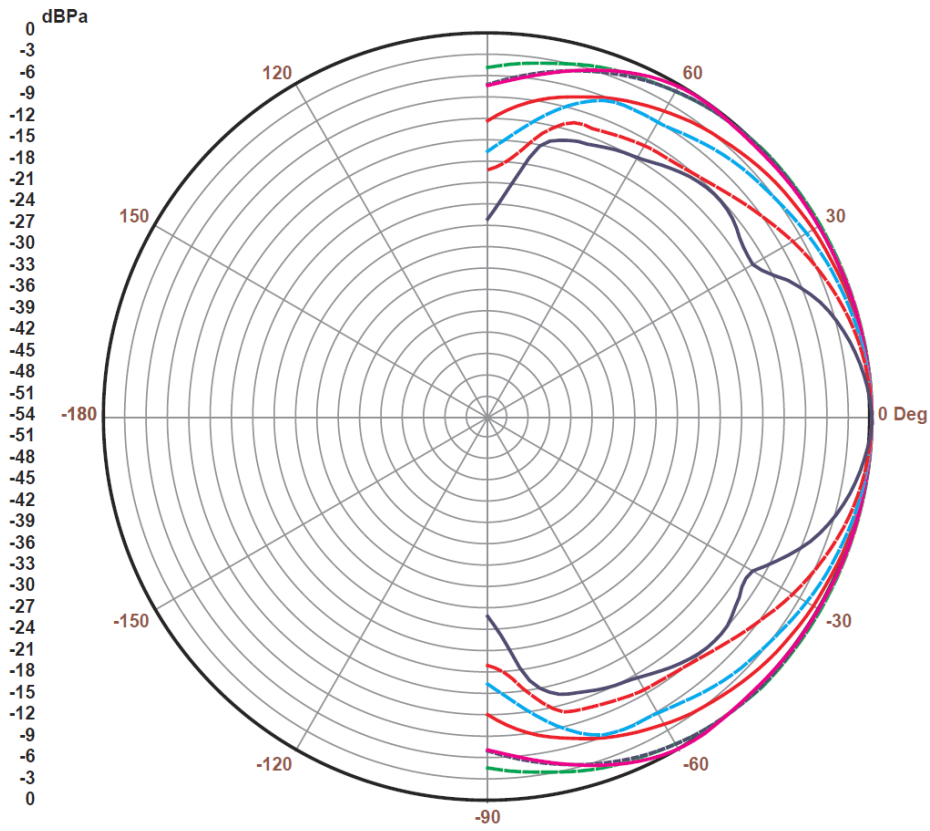
²6dB below the sound pressure level than that at the direction of maximum level, Average from 1 kHz to 4 kHz.

³Measured on-axis, far field and referenced to 1 meter by inverse square law. Average from 100 Hz to 10 kHz.

MECHANICAL DIAGRAM



POLAR DIAGRAMS



Curve	Freq	BW	Q	DI
—	125.00	136	2.6	4.2
—	250.00	180	2.0	3.0
—	500.00	169	2.1	3.3
—	1.00K	165	2.2	3.4
—	2.00K	115	3.1	5.0
—	4.00K	71	5.1	7.1
—	8.00K	42	8.6	9.3



All product characteristics are subject to variation due to production tolerances. **NEEC AUDIO BARCELONA S.L.** reserves the right to make changes or improvements in the design or manufacturing that may affect these product specifications.

For technical requests address to your supplier, distributor or fill the contact form in our website, at Support / Technical Request.

Motors, 166-168 08038 Barcelona - Spain - (+34) 932238403 | information@ecler.com | www.ecler.com