



# ATEO2S

ATEO2 with surface ceiling mount

## Highlights:

- Vertical and horizontal mounting
- 2" full range aluminum driver
- Stunning designed and elegant looking ABS enclosure
- Patented ClickMount™ mounting system

A combination of your trusted ATEO2 speaker and a specially designed surface ceiling mount with ClickMount™ technology\*.

The ATEO is a series of extraordinary loudspeakers especially designed for fixed install in indoor applications, ranging from modern residential applications to the most demanding designer applications in environments such as retail stores, pubs, restaurants or even clubs.

The ATEO2 is the ultra-compact model of this series which smoothly integrates into any interior like no other loudspeaker. The sound originates from a 2" aluminum cone driver which provides a full-range, warm and detailed sound, with an improved response in the low frequencies due to the ported design. This way, smooth sound reproduction with clear and crisp sound is guaranteed.

The internal self-resetting network provides optimal overload protection. It features a stunningly designed and elegant looking ABS housing which is fitted with high-quality components.

\*The ATEO2S is not compatible with the CleverMount™ mounting system.

## Applications:

- Retail
- Residential
- Clubs, bars, restaurants



## Impedance:



## System specifications:

---

Speaker type		Full range
Peak power handling		40 W
Program power handling		20 W
RMS/AES power handling		10 W
Impedance		8 $\Omega$ (ATEO2)
		16 $\Omega$ (ATEO2D)
Incline angle	Left	25°
	Right	25°
	Bottom	25°
	Top	15°
Sensitivity (1W/1m)		83 dB
Sound Pressure (Max. W/1m)		93 dB
Frequency	Response ( $\pm$ 3 dB)	120 Hz - 20 kHz
	Range (-10 dB)	100 Hz - 20 kHz
Dispersion	Horizontal	145°
	Vertical	170°
Drivers		2" Aluminium full range

## Product Features:

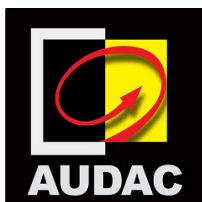
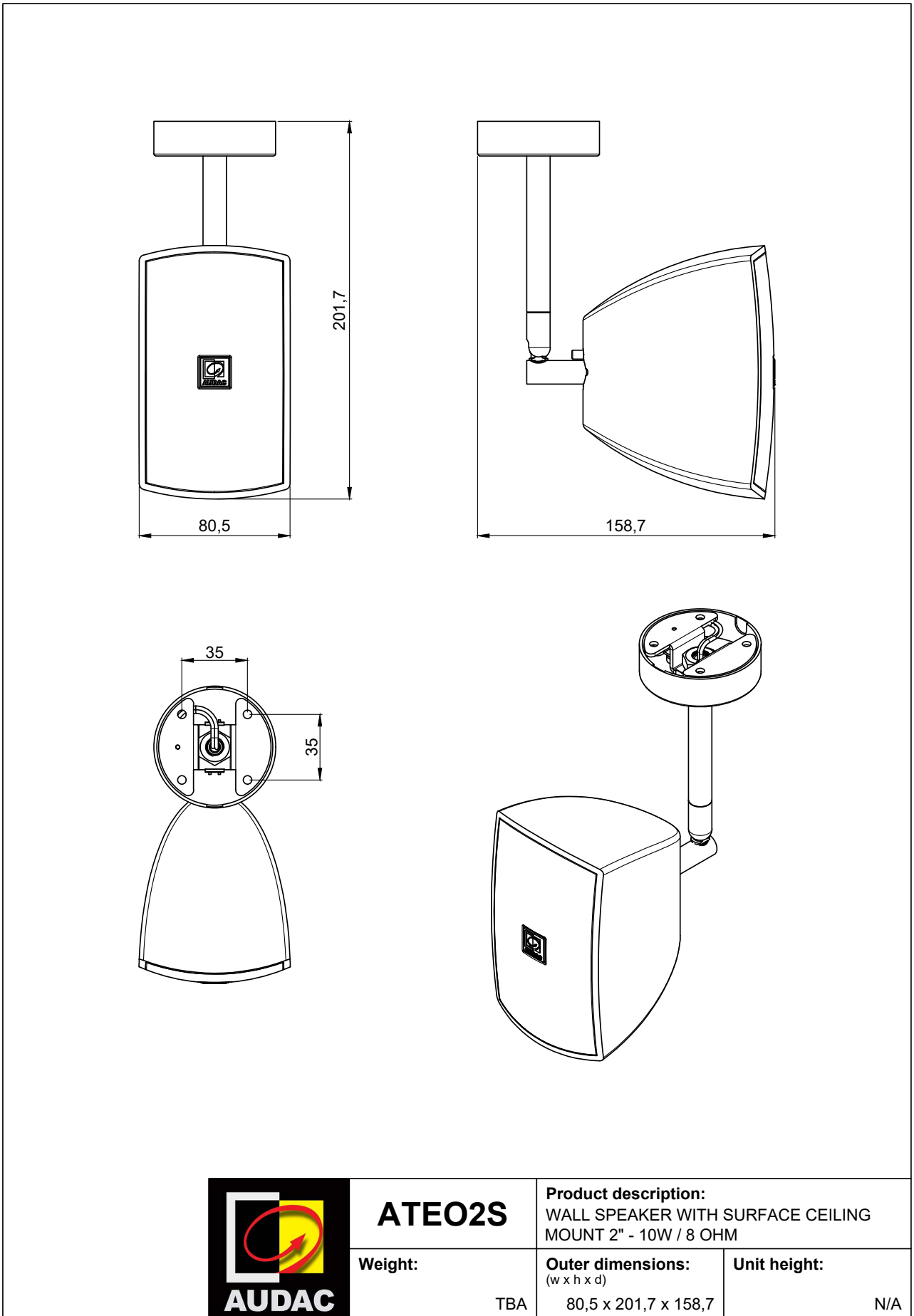
---

Dimensions	80 x 136 x 115 mm (W x H x D)
Weight	0.390 kg
Operating temperature	-20 °C ~ 60 °C
Construction	ABS
Front finish	Steel grill
Colours	Black
	White

## Variants:

---

- ATEO2S/B - Black version - 8 $\Omega$
- ATEO2S/W - White version - 8 $\Omega$
- ATEO2SD/B - Black version - 16 $\Omega$
- ATEO2SD/W - White version - 16 $\Omega$



**ATEO2S**

**Product description:**  
WALL SPEAKER WITH SURFACE CEILING MOUNT 2" - 10W / 8 OHM

**Weight:**

TBA

**Outer dimensions:**  
(w x h x d)

80,5 x 201,7 x 158,7

**Unit height:**

N/A